

powertechnique

PT90

Voltage (V): **400/230**

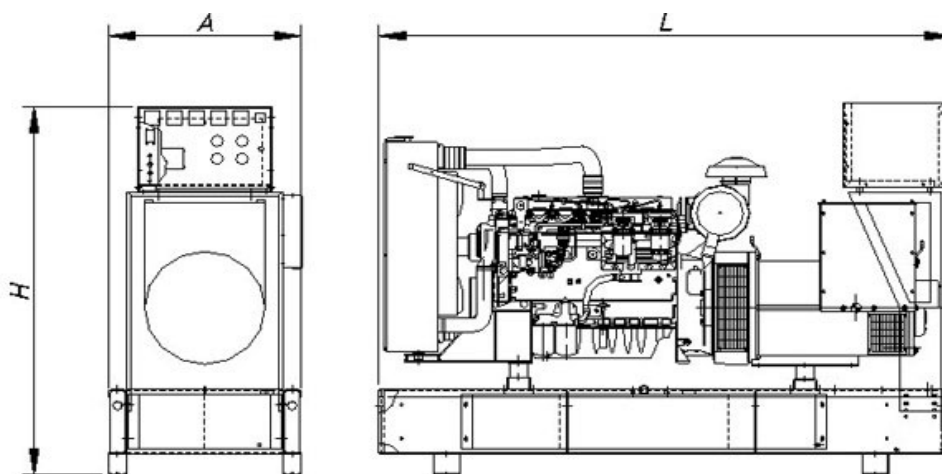
Frequency (Hz): **50**

**STATIONARY OPENSET
AUTOMATIC WITHOUT ATS**

Technical Information

PRP Power (Kva)	80
Standby Power	88
PRP Power (Kw)	64
Standby Power (Kw)	70.4
Model	STATIONARY OPENSET

Weight and Dimensions (mm)	
Length (L)	1965
Width (W)	800
Height (H)	1732.5
Weight (kg)	1031
Fuel tank capacity (l)	152



Consumption

	PRP Power		Standby Power	
	L/h	Range (hours)	L/h	Range (hours)
25%	5.2	29.2	0	0
50%	9.7	15.7	0	0
75%	14	10.9	0	0
100%	18.7	8.1	20.5	7.4

Engine

Brand	PERKINS
Model	1104C-44TG2
No. of Cylinders	4
Engine Capacity	4400
Bore (mm)	105
Stroke (mm)	127
Compression ratio	17.2:1
Water cooled	✓
Speed (r.p.m.)	1500
Preheating system	✓
Fuel tank capacity (l)	155

Cooling System

Flow of air from fan (m3/min)	89
-------------------------------	----

Lubrication System

Oil sump capacity (l)	8
Maximum oil consumption (%fuel consumption)	0.15

Air Intake System

Aspirated air flow (m3/min)	5.14
-----------------------------	------

Electrical System

Batteries	12V 97 Ah
-----------	-----------

Exhaust System

Input diameter (")	3
Output diameter (")	3.3
Exhaust diameter (mm)	154
Exhaust length (mm)	770
T ^a gas emission (°C)	580
Gas flow	13.3

Alternator

Model	UCI 224 G1
Electronic Regulation	✓
AVR	SX460
Power (Kva)	90.8

Electric Panel

Measuring Instruments

Voltmeter	1
-----------	---

Control Instruments

Control card	DEEP SEA
Auto start-up. Mains failure	✓
Manual start-up	✓
Remote start-up	✓

Alarms

Start-up failure	✓
Battery charge failure	✓
Low oil pressure	✓
High engine water temperature	✓
Low fuel level	✓
Low radiator water level	✓
Emergency stop	✓
Overspeed	✓

Standby Gensets	
3-phase tracking card	✓
Battery charger maintainer	✓
Voltmeter. Switch: PHASE-MAINS-GENSET	✓
Auto/manual function	✓
LED indicators MAINS/GENSET switch	✓
Remote control software	✓
RS 485 communication port	✓
Protection Devices	
Emergency stop button	✓

Head office address:

Unit 4, Concorde Close, Sopwith Park,
 Segensworth North, Fareham, Hampshire, PO15 5RT. UK
 Tel: +44 (0)1489 560700 Fax: +44 (0)1489 560742
sales@powertecnicue.com www.powertecnicue.com

Power Tecnicue Ltd reserves the right to modify any characteristic without prior notice. Photos or drawings are based on standard product, being possible to add optional elements