

**power**technique

**PT90**

Voltage (V): **400/230**

Frequency (Hz): **50**

**STATIONARY OPENSET**

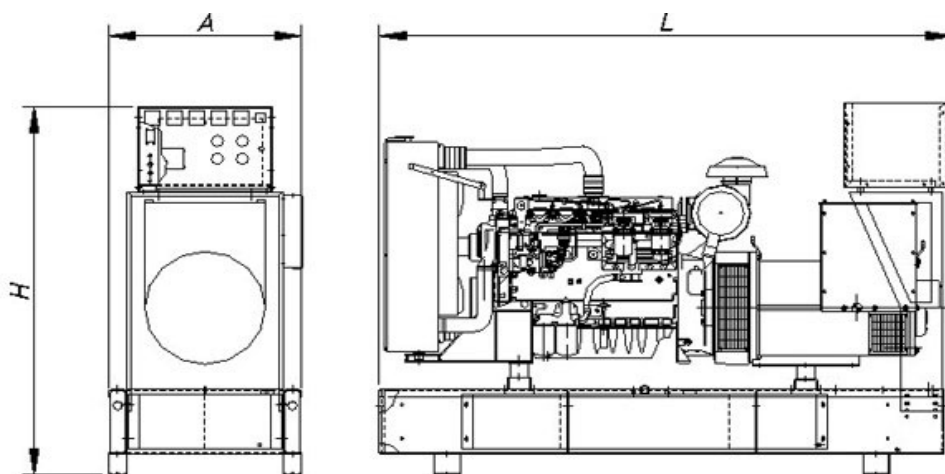
**AUTOMATIC WITH ATS**

## Technical Information

PRP Power (Kva)	<b>80</b>
Standby Power	<b>88</b>
PRP Power (Kw)	<b>64</b>
Standby Power (Kw)	<b>70.4</b>
Model	<b>STATIONARY OPENSET</b>

## Weight and Dimensions (mm)

Length (L)	<b>1965</b>
Width (W)	<b>800</b>
Height (H)	<b>1732.5</b>
Weight (kg)	<b>1031</b>
Fuel tank capacity (l)	<b>152</b>



## Consumption

	PRP Power		Standby Power	
	L/h	Range (hours)	L/h	Range (hours)
25%	5.2	29.2	0	0
50%	9.7	15.7	0	0
75%	14	10.9	0	0
100%	18.7	8.1	20.5	7.4

## Engine

Brand	PERKINS
Model	1104C-44TG2
No. of Cylinders	4
Engine Capacity	4400
Bore (mm)	105
Stroke (mm)	127
Compression ratio	17.2:1
Water cooled	✓
Speed (r.p.m.)	1500
Preheating system	✓
Fuel tank capacity (l)	155

### Cooling System

Flow of air from fan (m3/min)	89
-------------------------------	----

### Lubrication System

Oil sump capacity (l)	8
Maximum oil consumption (%fuel consumption)	0.15

### Air Intake System

Aspirated air flow (m3/min)	5.14
-----------------------------	------

### Electrical System

Batteries	12V 97 Ah
-----------	-----------

### Exhaust System

Input diameter (")	3
Output diameter (")	3.3
Exhaust diameter (mm)	154
Exhaust length (mm)	770
T <sup>a</sup> gas emission (°C)	580
Gas flow	13.3

## Alternator

Model	UCI 224 G1
Electronic Regulation	✓
AVR	SX460
Power (Kva)	90.8

## Electric Panel

### Measuring Instruments

Voltmeter	1
-----------	---

### Control Instruments

Control card	DEEP SEA
Auto start-up. Mains failure	✓
Manual start-up	✓
Remote start-up	✓

### Alarms

Start-up failure	✓
Battery charge failure	✓
Low oil pressure	✓
High engine water temperature	✓
Low fuel level	✓
Low radiator water level	✓
Emergency stop	✓
Overspeed	✓

<b>Standby Gensets</b>	
3-phase tracking card	✓
Battery charger maintainer	✓
Voltmeter. Switch: PHASE-MAINS-GENSET	✓
Auto/manual function	✓
LED indicators MAINS/GENSET switch	✓
Remote control software	✓
RS 485 communication port	✓
<b>Protection Devices</b>	
Emergency stop button	✓
Circuit breaker	<b>4P 10A</b>
ATS	<b>4P 125A</b>

**Head office address:**  
Unit 4, Concorde Close, Sopwith Park,  
Segensworth North, Fareham, Hampshire, PO15 5RT. UK  
Tel: +44 (0)1489 560700 Fax: +44 (0)1489 560742  
[sales@powertecnicque.com](mailto:sales@powertecnicque.com) [www.powertecnicque.com](http://www.powertecnicque.com)

Power Tecnicque Ltd reserves the right to modify any characteristic without prior notice. Photos or drawings are based on standard product, being possible to add optional elements