

powertechnique

PT630

Voltage (V): **400/230**

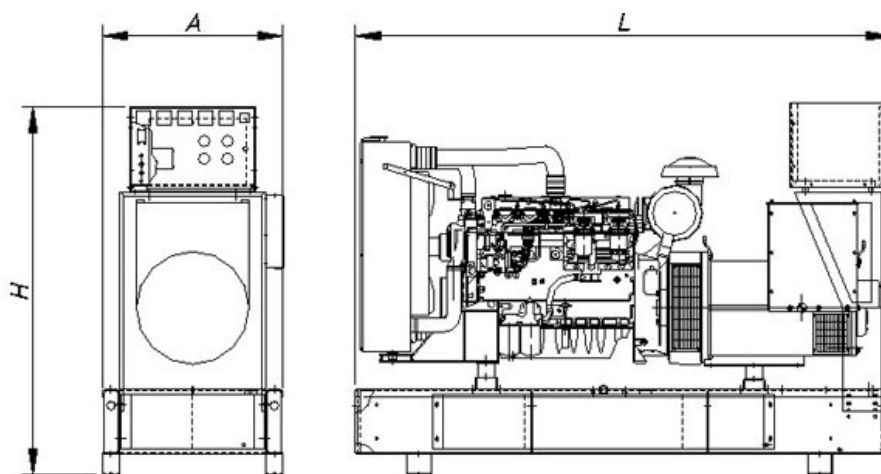
Frequency (Hz): **50**

**STATIONARY OPENSET
AUTOMATIC WITHOUT ATS**

Technical Information

PRP Power (Kva)	570
Standby Power	630
PRP Power (Kw)	456
Standby Power (Kw)	504
Model	STATIONARY OPENSET

Weight and Dimensions (mm)	
Length (L)	3810
Width (W)	1400
Height (H)	2365
Weight (kg)	4755
Fuel tank capacity (l)	943



Consumption

	PRP Power		Standby Power	
	L/h	Range (hours)	L/h	Range (hours)
25%	28.9	32.6	31.2	30.2
50%	53.7	17.6	59.1	16
75%	80.2	11.8	90	10.5
100%	109.1	8.6	122.4	7.7

Engine

Brand	VOLVO
Model	TAD 1642 GE
Electronic management	✓
No. of Cylinders	6
Engine Capacity	16120
Bore (mm)	144
Stroke (mm)	165
Compression ratio	16.5:1
Water cooled	✓
Speed (r.p.m.)	1500
Preheating system	✓
Fuel tank capacity (l)	943

Cooling System

Flow of air from fan (m3/min)	590
-------------------------------	-----

Lubrication System

Oil sump capacity (l)	48
Maximum oil consumption (%fuel consumption)	0.1

Air Intake System

Aspirated air flow (m3/min)	40.6
-----------------------------	------

Electrical System

Batteries	12V 140 Ah
-----------	------------

Exhaust System

Input diameter (")	5
Output diameter (")	5
Exhaust diameter (mm)	300
Exhaust length (mm)	1,945
T ^a gas emission (°C)	494
Gas flow	100.7

Alternator

Model	HCI 5_4 E1
Electronic Regulation	✓
AVR	SX440
Power (Kva)	665

Electric Panel

Measuring Instruments

Voltmeter	1
Battery current gauge	✓

Control Instruments

Control card	DEEP SEA
Auto start-up. Mains failure	✓
Manual start-up	✓
Remote start-up	✓

Alarms

Start-up failure	✓
Battery charge failure	✓
Low oil pressure	✓
High engine water temperature	✓
Low fuel level	✓
Low radiator water level	✓
Emergency stop	✓
Overspeed	✓

Standby Gensets	
3-phase tracking card	✓
Battery charger maintainer	✓
Voltmeter. Switch: PHASE-MAINS-GENSET	✓
Auto/manual function	✓
LED indicators MAINS/GENSET switch	✓
Remote control software	✓
RS 485 communication port	✓
Protection Devices	
Emergency stop button	✓

Head office address:

Unit 4, Concorde Close, Sopwith Park,
 Segensworth North, Fareham, Hampshire, PO15 5RT. UK
 Tel: +44 (0)1489 560700 Fax: +44 (0)1489 560742
sales@powertecnicue.com www.powertecnicue.com

Power Tecnicue Ltd reserves the right to modify any characteristic without prior notice. Photos or drawings are based on standard product, being possible to add optional elements