

powertechnique

PT50

Voltage (V): **400/230**

Frequency (Hz): **50**

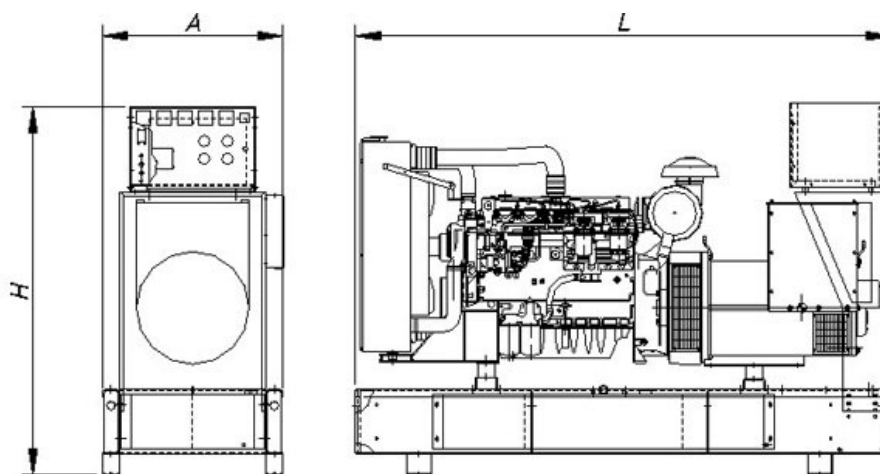
STATIONARY OPENSET

AUTOMATIC WITH ATS

Technical Information

PRP Power (kVA)	45
Standby Power	49.6
PRP Power (kW)	36
Standby Power (kW)	39.68
Model	STATIONARY OPENSET

Weight and Dimensions (mm)	
Length (L)	1965
Width (W)	800
Height (H)	1732.5
Weight (kg)	888
Fuel tank capacity (l)	152



Consumption

	PRP Power		Standby Power	
	L/h	Range (hours)	L/h	Range (hours)
25%	3.2	47.5	0	0
50%	5.6	27.1	0	0
75%	8	19	0	0
100%	10.5	14.5	11.8	12.9

Engine

Brand	PERKINS
Model	1103C-33TG3
No. of Cylinders	3
Engine Capacity	3300
Bore (mm)	105
Stroke (mm)	127
Compression ratio	18.2:1
Water cooled	✓
Speed (r.p.m.)	1500
Preheating system	✓
Fuel tank capacity (l)	152

Lubrication System

Oil sump capacity (l)	7.4
Maximum oil consumption (%fuel consumption)	0.2

Electrical System

Batteries	12V 75 Ah
-----------	-----------

Exhaust System

Input diameter (")	2.5
Output diameter (")	2.5
Exhaust diameter (mm)	129
Exhaust length (mm)	755

Alternator

Model	UCI 224 D1
Electronic Regulation	✓
AVR	SX460
Power (kVA)	55

Electric Panel

Measuring Instruments

Voltmeter	1
-----------	---

Control Instruments

Control card	DEEP SEA
Auto start-up. Mains failure	✓
Manual start-up	✓
Remote start-up	✓

Alarms

Start-up failure	✓
Battery charge failure	✓
Low oil pressure	✓
High engine water temperature	✓
Low fuel level	✓
Low radiator water level	✓
Emergency stop	✓
Overspeed	✓

Standby Gensets

3-phase tracking card	✓
Battery charger maintainer	✓
Voltmeter. Switch: PHASE-MAINS-GENSET	✓
Auto/manual function	✓
LED indicators MAINS/GENSET switch	✓

Remote control software	✓
RS 485 communication port	✓
Protection Devices	
Emergency stop button	✓
Circuit breaker	4P 10A
ATS	4P 125A

Head office address:

Unit 4, Concorde Close, Sopwith Park,
Segensworth North, Fareham, Hampshire, PO15 5RT. UK
Tel: +44 (0)1489 560700 Fax: +44 (0)1489 560742
sales@powertecnicque.com www.powertecnicque.com

Power Tecnicque Ltd reserves the right to modify any characteristic without prior notice. Photos or drawings are based on standard product, being possible to add optional elements