

powertechnique

PT410

Voltage (V): **400/230**

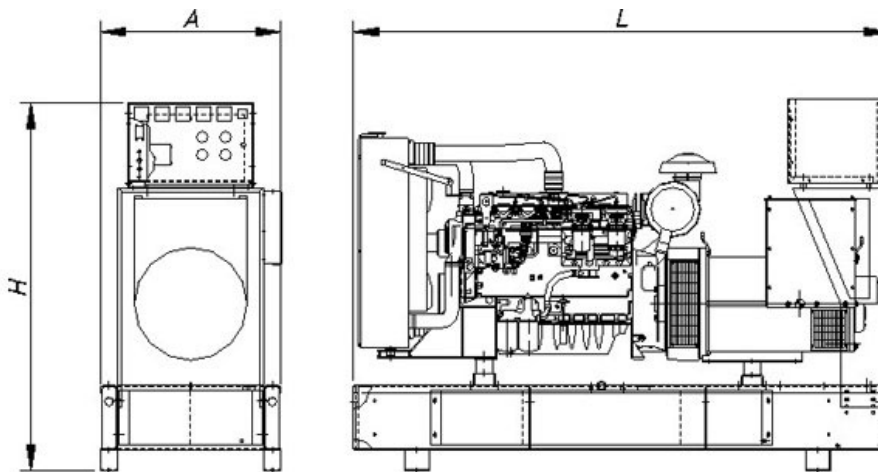
Frequency (Hz): **50**

**STATIONARY OPENSET
AUTOMATIC WITHOUT ATS**

Technical Information

PRP Power (Kva)	375
Standby Power	412
PRP Power (Kw)	300
Standby Power (Kw)	329.6
Model	STATIONARY OPENSET

Weight and Dimensions (mm)	
Length (L)	3430
Width (W)	1150
Height (H)	2207.5
Weight (kg)	3800
Fuel tank capacity (l)	540



Consumption

	PRP Power		Standby Power	
	L/h	Range (hours)	L/h	Range (hours)
25%	19.7	27.4	21.3	25.4
50%	36.1	15	58.3	13.7
75%	53	10.2	58.3	9.3
100%	70.7	7.6	78.1	6.9

Engine

Brand	VOLVO
Model	TAD 1241 GE
Electronic management	✓
No. of Cylinders	6
Engine Capacity	12130
Bore (mm)	131
Stroke (mm)	150
Compression ratio	17.5:1
Water cooled	✓
Speed (r.p.m.)	1500
Preheating system	✓
Fuel tank capacity (l)	540

Cooling System

Flow of air from fan (m3/min)	396
-------------------------------	-----

Lubrication System

Oil sump capacity (l)	31
Maximum oil consumption (%fuel consumption)	0.17

Air Intake System

Aspirated air flow (m3/min)	24
-----------------------------	----

Electrical System

Batteries	12V 140 Ah
-----------	------------

Exhaust System

Input diameter (")	4
Output diameter (")	4
Exhaust diameter (mm)	300
Exhaust length (mm)	1,705
T ^a gas emission (°C)	505
Gas flow	63

Alternator

Model	HCI 4_4 F1
Electronic Regulation	✓
AVR	SX440
Power (Kva)	450

Electric Panel

Measuring Instruments

Voltmeter	1
Battery current gauge	✓

Control Instruments

Control card	DEEP SEA
Auto start-up. Mains failure	✓
Manual start-up	✓
Remote start-up	✓

Alarms

Start-up failure	✓
Battery charge failure	✓
Low oil pressure	✓
High engine water temperature	✓
Low fuel level	✓
Low radiator water level	✓
Emergency stop	✓
Overspeed	✓

Standby Gensets	
3-phase tracking card	✓
Battery charger maintainer	✓
Voltmeter. Switch: PHASE-MAINS-GENSET	✓
Auto/manual function	✓
LED indicators MAINS/GENSET switch	✓
Remote control software	✓
RS 485 communication port	✓
Protection Devices	
Emergency stop button	✓

Head office address:

Unit 4, Concorde Close, Sopwith Park,
 Segensworth North, Fareham, Hampshire, PO15 5RT. UK
 Tel: +44 (0)1489 560700 Fax: +44 (0)1489 560742
sales@powertecnicque.com www.powertecnicque.com

Power Tecnicque Ltd reserves the right to modify any characteristic without prior notice. Photos or drawings are based on standard product, being possible to add optional elements