

powertechnique

PT35

Voltage (V): **400/230**

Frequency (Hz): **50**

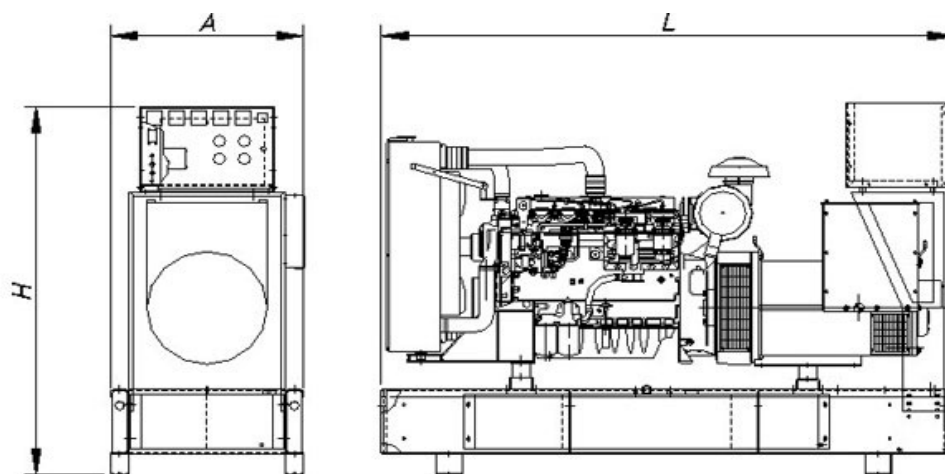
STATIONARY OPENSET

AUTOMATIC WITH ATS

Technical Information

PRP Power (kVA)	30
Standby Power	33
PRP Power (kW)	24
Standby Power (kW)	26.4
Model	STATIONARY OPENSET

Weight and Dimensions (mm)	
Length (L)	1550
Width (W)	750
Height (H)	1525
Weight (kg)	762
Fuel tank capacity (l)	88



Consumption

	PRP Power		Standby Power	
	L/h	Range (hours)	L/h	Range (hours)
25%	0	0	0	0
50%	3.9	22.6	0	0
75%	5.4	16.3	0	0
100%	7.1	12.4	7.9	11.1

Engine

Brand	PERKINS
Model	1103C-33G1
No. of Cylinders	3
Engine Capacity	3300
Bore (mm)	105
Stroke (mm)	127
Compression ratio	19.2:1
Water cooled	✓
Speed (r.p.m.)	1500
Preheating system	✓
Fuel tank capacity (l)	88

Cooling System

Flow of air from fan (m3/min)	53
-------------------------------	----

Lubrication System

Oil sump capacity (l)	6.5
Maximum oil consumption (%fuel consumption)	0.5

Air intake system

Aspirated air flow (M3/min)	2.15
-----------------------------	------

Electrical system

No. of Batteries	1
Batteries	12V 75 Ah

Exhaust system

Input diameter (")	2.5
Output diameter (")	2.5
Exhaust diameter (mm)	129
Exhaust length (mm)	755
T ^a gas emission (°C)	520
Gas flow (m3/min)	5.8

Alternator

Model	BCI 184 G1
Electronic Regulation	✓
AVR	SX460
Power (kVA)	33

Electric Panel

Control Instruments

Control card	DEEP SEA
Auto start-up. Mains failure	✓
Manual start-up	✓
Remote start-up	✓

Alarms

Start-up failure	✓
Battery charge failure	✓
Low oil pressure	✓
High engine water temperature	✓
Low fuel level	✓
Low radiator water level	✓
Emergency stop	✓
Overspeed	✓

Standby Gensets	
3-phase tracking card	✓
Battery charger maintainer	✓
Voltmeter. Switch: PHASE-MAINS-GENSET	✓
Auto/manual function	✓
LED indicators MAINS/GENSET switch	✓
Remote control software	✓
RS 485 communications port	✓
Protection Devices	
Emergency stop button	✓
Circuit breaker	4P 50A 4P 10A
ATS	4P 60A

Head office address:
Unit 4, Concorde Close, Sopwith Park,
Segensworth North, Fareham, Hampshire, PO15 5RT. UK
Tel: +44 (0)1489 560700 Fax: +44 (0)1489 560742
sales@powertecnicque.com www.powertecnicque.com

Power Tecnicque Ltd reserves the right to modify any characteristic without prior notice. Photos or drawings are based on standard product, being possible to add optional elements