

**power**technique

**PT330**

Voltage (V): **400/230**

Frequency (Hz): **50**

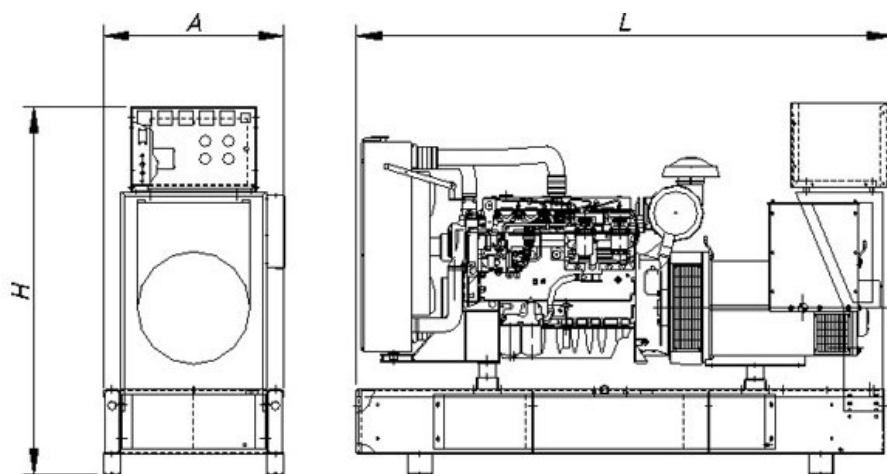
**STATIONARY OPENSET**

**AUTOMATIC WITH ATS**

## Technical Information

PRP Power (Kva)	<b>300</b>
Standby Power	<b>330</b>
PRP Power (Kw)	<b>240</b>
Standby Power (Kw)	<b>264</b>
Model	<b>STATIONARY OPENSET</b>

Weight and Dimensions (mm)	
Length (L)	<b>3430</b>
Width (W)	<b>1150</b>
Height (H)	<b>2207.5</b>
Weight (kg)	<b>3234</b>
Fuel tank capacity (l)	<b>540</b>



## Consumption

	PRP Power		Standby Power	
	L/h	Range (hours)	L/h	Range (hours)
25%	16.4	32.9	17.8	30.3
50%	29.7	18.2	32.2	16.8
75%	42.9	12.6	47.1	11.5
100%	57.7	9.4	64.1	8.4

## Engine

Brand	VOLVO
Model	TAD 941 GE
Electronic management	✓
No. of Cylinders	6
Engine Capacity	9360
Bore (mm)	120
Stroke (mm)	138
Compression ratio	17.4:1
Water cooled	✓
Speed (r.p.m.)	1500
Preheating system	✓
Fuel tank capacity (l)	540

### Cooling System

Flow of air from fan (m3/min)	305
-------------------------------	-----

### Lubrication System

Oil sump capacity (l)	33
Maximum oil consumption (%fuel consumption)	0.06

### Air Intake System

Aspirated air flow (m3/min)	19.6
-----------------------------	------

### Electrical System

Batteries	12V 120 Ah
-----------	------------

### Exhaust System

Input diameter (")	4
Output diameter (")	4
Exhaust diameter (mm)	300
Exhaust length (mm)	1,705
T <sup>a</sup> gas emission (°C)	539
Gas flow	52.2

## Alternator

Model	HCI 4_4 D1
Electronic Regulation	✓
AVR	SX440
Power (Kva)	330

## Electric Panel

### Measuring Instruments

Voltmeter	1
Battery current gauge	✓

### Control Instruments

Control card	DEEP SEA
Auto start-up. Mains failure	✓
Manual start-up	✓
Remote start-up	✓

### Alarms

Start-up failure	✓
Battery charge failure	✓
Low oil pressure	✓
High engine water temperature	✓
Low fuel level	✓
Low radiator water level	✓

Emergency stop	✓
Overspeed	✓
<b>Standby Gensets</b>	
3-phase tracking card	✓
Battery charger maintainer	✓
Voltmeter. Switch: PHASE-MAINS-GENSET	✓
Auto/manual function	✓
LED indicators MAINS/GENSET switch	✓
Remote control software	✓
RS 485 communication port	✓
<b>Protection Devices</b>	
Emergency stop button	✓

**Head office address:**

Unit 4, Concorde Close, Sopwith Park,  
Segensworth North, Fareham, Hampshire, PO15 5RT. UK  
Tel: +44 (0)1489 560700 Fax: +44 (0)1489 560742  
[sales@powertecnicque.com](mailto:sales@powertecnicque.com) [www.powertecnicque.com](http://www.powertecnicque.com)

Power Technique Ltd reserves the right to modify any characteristic without prior notice. Photos or drawings are based on standard product, being possible to add optional elements