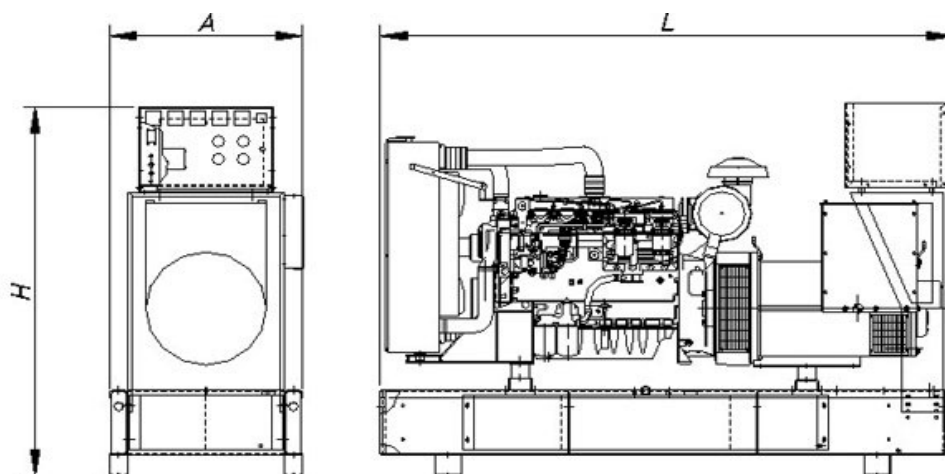


### Technical Information

PRP Power (kVA)	20.3
Standby Power	22.7
PRP Power (kW)	16.3
Standby Power (kW)	18.2
Model	STATIONARY OPENSET

### Weight and Dimensions (mm)

Length (L)	1550
Width (W)	750
Height (H)	1485
Weight (kg)	558
Fuel tank capacity (l)	88



### Consumption

	PRP Power		Standby Power	
	L/h	Range (hours)	L/h	Range (hours)
25%	0	0	0	0
50%	2.9	30.3	0	0
75%	4	22	0	0
100%	5.4	16.3	6.2	14.2

## Engine

Brand	PERKINS
Model	404C 22 G
No. of cylinders	4
Engine capacity	2216
Bore (mm)	84
Stroke (mm)	100
Compression ratio	22.4:1
Water cooled	✓
Speed (r.p.m.)	1500
Preheating system	✓
Fuel tank capacity (l)	88

### Cooling System

Flow of air from fan (m3/min)	40.2
-------------------------------	------

### Lubrication System

Oil sump capacity (l)	8
Maximum oil consumption (%fuel consumption)	0.3

### Air Intake System

Aspirated air flow (M3/min)	1.45
-----------------------------	------

### Electrical System

Batteries	12V 60 Ah
-----------	-----------

### Exhaust System

Input diameter (")	2
Output diameter (")	2
Exhaust diameter (mm)	180
Exhaust length (mm)	358
T <sup>a</sup> gas emission (°C)	505
Gas flow (m3/min)	3.94

## Alternator

Model	BCI 184 E1
Electronic Regulation	✓
AVR	SX460
Power (kVA)	25

## Electric Panel

### Measuring Instruments

Voltmeter	1
Frequency meter	1
Hour meter	✓
Fuel gauge	✓
Engine water temperature gauge	✓
Battery voltage gauge	✓

## Electric Panel

### Control Instruments

Control card	DEEP SEA
Auto start-up. Mains failure	✓
Manual start-up	✓
Remote start-up	✓

### Alarms

Start-up failure	✓
Battery charge failure	✓
Low oil pressure	✓

High engine water temperature	✓
Low fuel level	✓
Low radiator water level	✓
Emergency stop	✓
<b>Standby Gensets</b>	
3-phase tracking card	✓
Battery charger maintainer	✓
Voltmeter. Switch: PHASE-MAINS-GENSET	✓
Auto/manual function	✓
LED indicators MAINS/GENSET switch	✓
<b>Protection Devices</b>	
Emergency stop button	✓
Circuit breaker	4P 10A 4P 32A
ATS	4P 40A

**Head office address:**

Unit 4, Concorde Close, Sopwith Park,  
Segensworth North, Fareham, Hampshire, PO15 5RT. UK  
Tel: +44 (0)1489 560700 Fax: +44 (0)1489 560742  
[sales@powertecnicque.com](mailto:sales@powertecnicque.com) [www.powertecnicque.com](http://www.powertecnicque.com)

Power Tecnicque Ltd reserves the right to modify any characteristic without prior notice. Photos or drawings are based on standard product, being possible to add optional elements