

powertechnique

PT220

Voltage (V): **400/230**

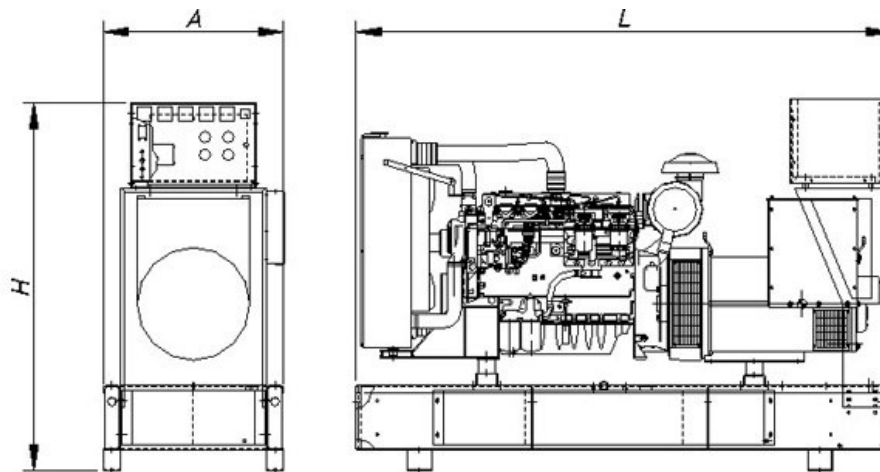
Frequency (Hz): **50**

**STATIONARY OPENSET
AUTOMATIC WITHOUT ATS**

Technical Information

PRP Power (Kva)	200
Standby Power	220
PRP Power (Kw)	160
Standby Power (Kw)	176
Model	STATIONARY OPENSET

Weight and Dimensions (mm)	
Length (L)	2900
Width (W)	1100
Height (H)	2057.5
Weight (kg)	2265
Fuel tank capacity (l)	415



Consumption

	PRP Power		Standby Power	
	L/h	Range (hours)	L/h	Range (hours)
25%	10.9	38.1	11.9	34.9
50%	20.7	20	22.6	18.4
75%	30.6	13.6	33.8	12.3
100%	41.1	10.1	45.9	9

Engine

Brand	VOLVO
Model	TAD 733 GE
No. of Cylinders	6
Engine Capacity	7150
Bore (mm)	108
Stroke (mm)	130
Compression ratio	18.1:1
Water cooled	✓
Speed (r.p.m.)	1500
Preheating system	✓
Fuel tank capacity (l)	415

Cooling System

Flow of air from fan (m3/min)	170
-------------------------------	------------

Lubrication System

Oil sump capacity (l)	34
Maximum oil consumption (%fuel consumption)	0.2

Air Intake System

Aspirated air flow (m3/min)	12.43
-----------------------------	--------------

Electrical System

Batteries	12V 120 Ah
-----------	-------------------

Exhaust System

Input diameter (")	3.5
Output diameter (")	3.5
Exhaust diameter (mm)	300
Exhaust length (mm)	1,645
T ^a gas emission (°C)	530
Gas flow	37.2

Alternator

Model	UCI 274 H1
Electronic Regulation	✓
AVR	SX460
Power (Kva)	220

Electric Panel

Measuring Instruments

Voltmeter	1
Battery current gauge	✓

Control Instruments

Control card	DEEP SEA
Auto start-up. Mains failure	✓
Manual start-up	✓
Remote start-up	✓

Alarms

Start-up failure	✓
Battery charge failure	✓
Low oil pressure	✓
High engine water temperature	✓
Low fuel level	✓
Low radiator water level	✓
Emergency stop	✓
Overspeed	✓

Standby Gensets	
3-phase tracking card	✓
Battery charger maintainer	✓
Voltmeter. Switch: PHASE-MAINS-GENSET	✓
Auto/manual function	✓
LED indicators MAINS/GENSET switch	✓
Remote control software	✓
RS 485 communication port	✓
Protection Devices	
Emergency stop button	✓

Head office address:

Unit 4, Concorde Close, Sopwith Park,
 Segensworth North, Fareham, Hampshire, PO15 5RT. UK
 Tel: +44 (0)1489 560700 Fax: +44 (0)1489 560742
sales@powertecnicue.com www.powertecnicue.com

Power Tecnicue Ltd reserves the right to modify any characteristic without prior notice. Photos or drawings are based on standard product, being possible to add optional elements