

**power**technique

**PT220**

Voltage (V): **400/230**

Frequency (Hz): **50**

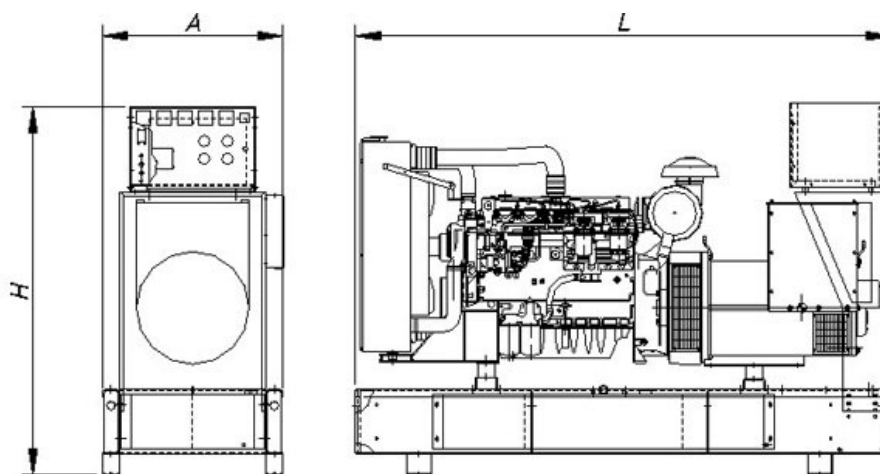
**STATIONARY OPENSET**

**AUTOMATIC WITH ATS**

## Technical Information

PRP Power (Kva)	<b>200</b>
Standby Power	<b>220</b>
PRP Power (Kw)	<b>160</b>
Standby Power (Kw)	<b>176</b>
Model	<b>STATIONARY OPENSET</b>

Weight and Dimensions (mm)	
Length (L)	<b>2900</b>
Width (W)	<b>1100</b>
Height (H)	<b>2057.5</b>
Weight (kg)	<b>2265</b>
Fuel tank capacity (l)	<b>415</b>



## Consumption

	PRP Power		Standby Power	
	L/h	Range (hours)	L/h	Range (hours)
25%	10.9	38.1	11.9	34.9
50%	20.7	20	22.6	18.4
75%	30.6	13.6	33.8	12.3
100%	41.1	10.1	45.9	9

## Engine

Brand	<b>VOLVO</b>
Model	<b>TAD 733 GE</b>
No. of Cylinders	<b>6</b>
Engine Capacity	<b>7150</b>
Bore (mm)	<b>108</b>
Stroke (mm)	<b>130</b>
Compression ratio	<b>18.1:1</b>
Water cooled	✓
Speed (r.p.m.)	<b>1500</b>
Preheating system	✓
Fuel tank capacity (l)	<b>415</b>

### Cooling System

Flow of air from fan (m3/min)	<b>170</b>
-------------------------------	------------

### Lubrication System

Oil sump capacity (l)	<b>34</b>
Maximum oil consumption (%fuel consumption)	<b>0.2</b>

### Air Intake System

Aspirated air flow (m3/min)	<b>12.43</b>
-----------------------------	--------------

### Electrical System

Batteries	<b>12V 120 Ah</b>
-----------	-------------------

### Exhaust System

Input diameter (")	<b>3.5</b>
Output diameter (")	<b>3.5</b>
Exhaust diameter (mm)	<b>300</b>
Exhaust length (mm)	<b>1,645</b>
T <sup>a</sup> gas emission (°C)	<b>530</b>
Gas flow	<b>37.2</b>

## Alternator

Model	<b>UCI 274 H1</b>
Electronic Regulation	✓
AVR	<b>SX460</b>
Power (Kva)	<b>220</b>

## Electric Panel

### Measuring Instruments

Voltmeter	<b>1</b>
Battery current gauge	✓

### Control Instruments

Control card	<b>DEEP SEA</b>
Auto start-up. Mains failure	✓
Manual start-up	✓
Remote start-up	✓

### Alarms

Start-up failure	✓
Battery charge failure	✓
Low oil pressure	✓
High engine water temperature	✓
Low fuel level	✓
Low radiator water level	✓
Emergency stop	✓
Overspeed	✓

<b>Standby Gensets</b>	
3-phase tracking card	✓
Battery charger maintainer	✓
Voltmeter. Switch: PHASE-MAINS-GENSET	✓
Auto/manual function	✓
LED indicators MAINS/GENSET switch	✓
Remote control software	✓
RS 485 communication port	✓
<b>Protection Devices</b>	
Emergency stop button	✓

**Head office address:**

Unit 4, Concorde Close, Sopwith Park,  
 Segensworth North, Fareham, Hampshire, PO15 5RT. UK  
 Tel: +44 (0)1489 560700 Fax: +44 (0)1489 560742  
[sales@powertecnicue.com](mailto:sales@powertecnicue.com) [www.powertecnicue.com](http://www.powertecnicue.com)

Power Tecnicue Ltd reserves the right to modify any characteristic without prior notice. Photos or drawings are based on standard product, being possible to add optional elements