

powertechnique

PT200

Voltage (V): **400/230**

Frequency (Hz): **50**

STATIONARY OPENSET

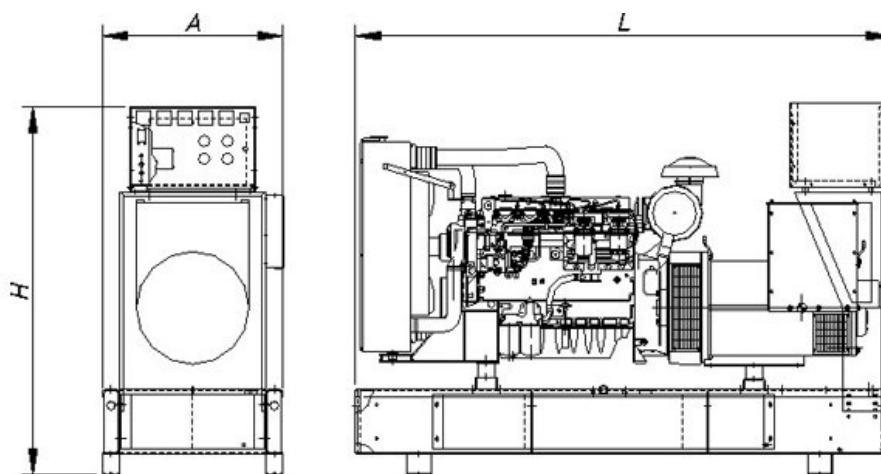
AUTOMATIC WITH ATS

Technical Information

| | |
|--------------------|---------------------------|
| PRP Power (Kva) | 180 |
| Standby Power | 200 |
| PRP Power (Kw) | 144 |
| Standby Power (Kw) | 160 |
| Model | STATIONARY OPENSET |

Weight and Dimensions (mm)

| | |
|------------------------|---------------|
| Length (L) | 2900 |
| Width (W) | 1100 |
| Height (H) | 2057.5 |
| Weight (kg) | 2191 |
| Fuel tank capacity (l) | 415 |



Consumption

| | PRP Power | | Standby Power | |
|------|-----------|---------------|---------------|---------------|
| | L/h | Range (hours) | L/h | Range (hours) |
| 25% | 11.6 | 35.8 | 11.1 | 37.4 |
| 50% | 18.8 | 21.1 | 20.5 | 20.2 |
| 75% | 27.4 | 15.1 | 30.3 | 13.7 |
| 100% | 36.5 | 11.4 | 40.8 | 10.2 |

Engine

| | |
|------------------------|------------|
| Brand | VOLVO |
| Model | TAD 732 GE |
| Electronic management | ✓ |
| No. of Cylinders | 6 |
| Engine Capacity | 7150 |
| Bore (mm) | 108 |
| Stroke (mm) | 130 |
| Compression ratio | 18.1 |
| Water cooled | ✓ |
| Speed (r.p.m.) | 1500 |
| Preheating system | ✓ |
| Fuel tank capacity (l) | 415 |

Cooling System

| | |
|-------------------------------|-----|
| Flow of air from fan (m3/min) | 170 |
|-------------------------------|-----|

Lubrication System

| | |
|---|-----|
| Oil sump capacity (l) | 34 |
| Maximum oil consumption (%fuel consumption) | 0.2 |

Air Intake System

| | |
|-----------------------------|------|
| Aspirated air flow (m3/min) | 12.4 |
|-----------------------------|------|

Electrical System

| | |
|-----------|------------|
| Batteries | 12V 120 Ah |
|-----------|------------|

Exhaust System

| | |
|----------------------------------|--------|
| Input diameter (") | 3.5 |
| Output diameter (") | 3.5 |
| Exhaust diameter (mm) | 300 |
| Exhaust length (mm) | 1, 645 |
| T ^a gas emission (°C) | 542 |
| Gas flow | 35.1 |

Alternator

| | |
|-----------------------|------------|
| Model | UCI 274 H1 |
| Electronic Regulation | ✓ |
| AVR | SX460 |
| Power (Kva) | 220 |

Electric Panel

Measuring Instruments

| | |
|-----------------------|---|
| Voltmeter | 1 |
| Battery current gauge | ✓ |

Control Instruments

| | |
|------------------------------|----------|
| Control card | DEEP SEA |
| Auto start-up. Mains failure | ✓ |
| Manual start-up | ✓ |
| Remote start-up | ✓ |

Alarms

| | |
|-------------------------------|---|
| Start-up failure | ✓ |
| Battery charge failure | ✓ |
| Low oil pressure | ✓ |
| High engine water temperature | ✓ |
| Low fuel level | ✓ |
| Low radiator water level | ✓ |

| | |
|---------------------------------------|---|
| Emergency stop | ✓ |
| Overspeed | ✓ |
| Standby Gensets | |
| 3-phase tracking card | ✓ |
| Battery charger maintainer | ✓ |
| Voltmeter. Switch: PHASE-MAINS-GENSET | ✓ |
| Auto/manual function | ✓ |
| LED indicators MAINS/GENSET switch | ✓ |
| Remote control software | ✓ |
| RS 485 communication port | ✓ |
| Protection Devices | |
| Emergency stop button | ✓ |

Head office address:

Unit 4, Concorde Close, Sopwith Park,
Segensworth North, Fareham, Hampshire, PO15 5RT. UK
Tel: +44 (0)1489 560700 Fax: +44 (0)1489 560742
sales@powertecnicue.com www.powertecnicue.com

Power Tecnicue Ltd reserves the right to modify any characteristic without prior notice. Photos or drawings are based on standard product, being possible to add optional elements