

powertechnique

PT165

Voltage (V): **400/230**

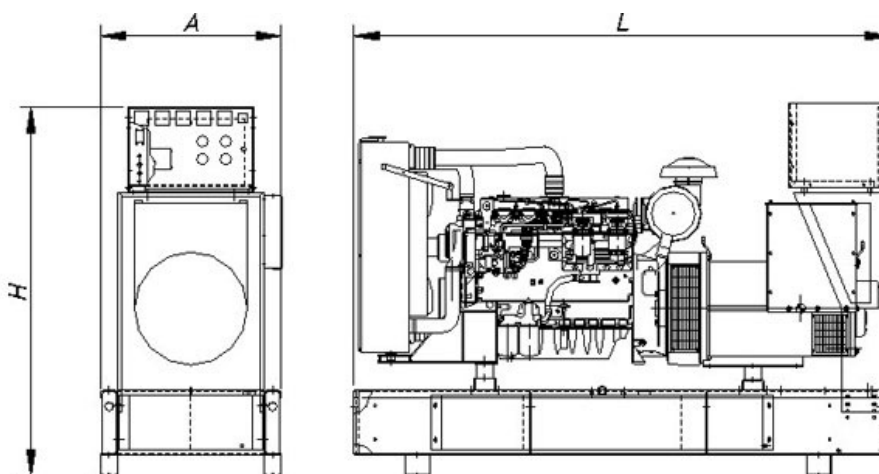
Frequency (Hz): **50**

**STATIONARY OPENSET
AUTOMATIC WITHOUT ATS**

Technical Information

PRP Power (Kva)	150
Standby Power	167
PRP Power (Kw)	120
Standby Power (Kw)	133.6
Model	STATIONARY OPENSET

Weight and Dimensions (mm)	
Length (L)	2490
Width (W)	850
Height (H)	1882.5
Weight (kg)	1557
Fuel tank capacity (l)	264



Consumption

	PRP Power		Standby Power	
	L/h	Range (hours)	L/h	Range (hours)
25%	9.3	28.4	9.7	27.2
50%	16	16.5	17.4	15.2
75%	23.1	11.4	25.6	10.3
100%	30.7	8.6	34.2	7.7

Engine

Brand	VOLVO
Model	TAD 731 GE
No. of Cylinders	6
Engine Capacity	7150
Bore (mm)	108
Stroke (mm)	130
Compression ratio	18.1
Water cooled	✓
Speed (r.p.m.)	1500
Preheating system	✓
Fuel tank capacity (l)	264

Cooling System

Flow of air from fan (m3/min)	222
-------------------------------	------------

Lubrication System

Oil sump capacity (l)	20
Maximum oil consumption (%fuel consumption)	0.3

Air Intake System

Aspirated air flow (m3/min)	10.65
-----------------------------	--------------

Electrical System

Batteries	12V 180 Ah
-----------	-------------------

Exhaust System

Input diameter (")	3
Output diameter (")	3.3
Exhaust diameter (mm)	154
Exhaust length (mm)	770
T ^a gas emission (°C)	540
Gas flow	30.2

Alternator

Model	UCI 274 F1
Electronic Regulation	✓
AVR	SX460
Power (Kva)	175

Electric Panel

Measuring Instruments

Voltmeter	1
-----------	----------

Control Instruments

Control card	DEEP SEA
Auto start-up. Mains failure	✓
Manual start-up	✓
Remote start-up	✓

Alarms

Start-up failure	✓
Battery charge failure	✓
Low oil pressure	✓
High engine water temperature	✓
Low fuel level	✓
Low radiator water level	✓
Emergency stop	✓
Overspeed	✓

Standby Gensets	
3-phase tracking card	✓
Battery charger maintainer	✓
Voltmeter. Switch: PHASE-MAINS-GENSET	✓
Auto/manual function	✓
LED indicators MAINS/GENSET switch	✓
Remote control software	✓
RS 485 communication port	✓
Protection Devices	
Emergency stop button	✓

Head office address:

Unit 4, Concorde Close, Sopwith Park,
 Segensworth North, Fareham, Hampshire, PO15 5RT. UK
 Tel: +44 (0)1489 560700 Fax: +44 (0)1489 560742
sales@powertecnicue.com www.powertecnicue.com

Power Tecnicue Ltd reserves the right to modify any characteristic without prior notice. Photos or drawings are based on standard product, being possible to add optional elements