

**power**technique

**PT15**

Voltage (V): **400/230**

Frequency (Hz): **50**

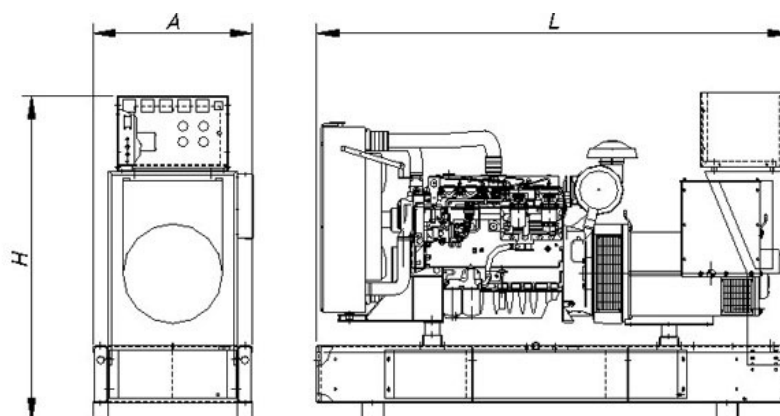
**STATIONARY OPENSET**

**AUTOMATIC WITH ATS**

## Technical Information

PRP Power (kVA)	<b>12</b>
Standby Power	<b>13.4</b>
PRP Power (kW)	<b>9.6</b>
Standby Power (kW)	<b>10.72</b>
Model	<b>STATIONARY OPENSET</b>

Weight and Dimensions (mm)	
Length (L)	<b>1400</b>
Width (W)	<b>700</b>
Height (H)	<b>1432</b>
Weight (kg)	<b>410</b>
Fuel tank capacity (l)	<b>29</b>



## Consumption

	PRP Power		Standby Power	
	L/h	Range (hours)	L/h	Range (hours)
25%	0	0	0	0
50%	2.1	13.8	0	0
75%	2.8	10.4	0	0
100%	3.7	7.8	4.1	7.1

## Engine

Brand	PERKINS
Model	403C 15 G
No. of cylinders	3
Engine capacity	1496
Bore (mm)	84
Stroke (mm)	90
Compression ratio	22.5:1
Water cooled	✓
Speed (r.p.m.)	1500
Preheating system	✓
Fuel tank capacity (l)	29

### Cooling System

Flow of air from fan (m3/min)	36.6
-------------------------------	------

### Lubrication System

Oil sump capacity (l)	6
Maximum oil consumption (%fuel consumption)	0.78

### Air Intake System

Aspirated air flow (M3/min)	1.08
-----------------------------	------

### Electrical System

Batteries	12V 60 Ah
-----------	-----------

### Exhaust System

Input diameter (")	2
Output diameter (")	2
Exhaust diameter (mm)	180
Exhaust length (mm)	538
T <sup>a</sup> gas emission (°C)	490
Gas flow (m3/min)	2.88

## Alternator

Model	FT4MDS
Power (kVA)	13.4

## Electric Panel

### Measuring Instruments

Voltmeter	1
Frequency meter	1
Hour meter	✓
Battery voltage gauge	✓

### Control Instruments

Control card	DEEP SEA
Auto start-up. Mains failure	✓
Manual start-up	✓
Remote start-up	✓

### Alarms

Start-up failure	✓
Battery charge failure	✓
Low oil pressure	✓
High engine water temperature	✓
Low fuel level	✓
Low radiator water level	✓
Emergency stop	✓

<b>Standby Gensets</b>	
3-phase tracking card	✓
Battery charger maintainer	✓
Voltmeter. Switch: PHASE-MAINS-GENSET	✓
Auto/manual function	✓
LED indicators MAINS/GENSET switch	✓
<b>Protection Devices</b>	
Emergency stop button	✓
Circuit breaker	<b>4P 20A 4P 10A</b>
ATS	<b>4P 25A</b>

**Head office address:**

Unit 4, Concorde Close, Sopwith Park,  
 Segensworth North, Fareham, Hampshire, PO15 5RT. UK  
 Tel: +44 (0)1489 560700 Fax: +44 (0)1489 560742  
[sales@powertecnicque.com](mailto:sales@powertecnicque.com) [www.powertecnicque.com](http://www.powertecnicque.com)

Power Tecnicque Ltd reserves the right to modify any characteristic without prior notice. Photos or drawings are based on standard product, being possible to add optional elements